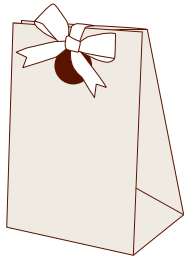




wrap it like you mean it

A smart, simply wrapped gift is always appropriate and appreciated. So wrap it like you mean it! Come on, we've made it easy for you.

GIFT BAG - ESTIMATED WRAP TIME 2 MINUTES



BAG
7" x 10" x 6.25"



RIBBON
36"



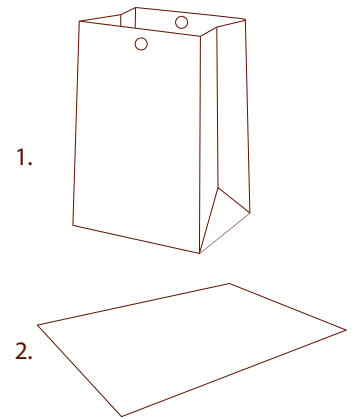
TISSUE PAPER
22" x 21.75"



GIFT TAG
2.5"

THE PAPER:

1. Unfold the bag and tissue paper.
2. Crinkle the tissue paper, wrap it around the gift, and place it in the bag.



THE BOW:

1. Thread the ribbon through the holes at the top of the bag and insert one end through the gift tag and pull through.
2. Form each end into equal loops and cross the right loop over and under the left.
3. Pull both loops to tighten the bow and adjust until they are the same size.

